

AVR-150

Rugged SWaP PC System



Features

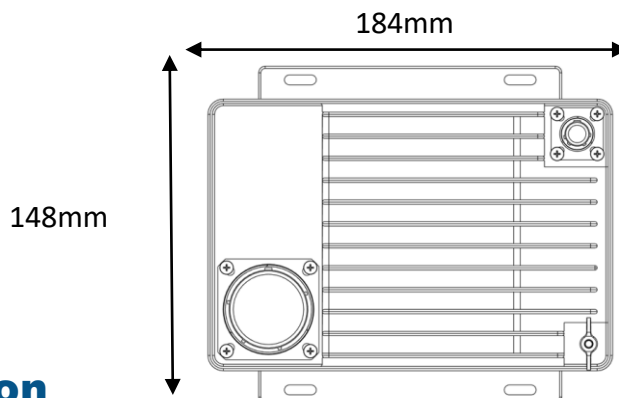
- 11th Gen Intel® Core i7 TigerLake Processor
- Onboard LPDDR4x-4267 up to 32GB
- Dual GbE, Dual USB2.0, COM port
- Dual Independent Displays
- 9-36VDC Input with EMI Pre filter
- MIL-STD-810 and MIL-STD-461 Compliant

Small size weight and power rugged PC system includes 11th Gen i7 TigerLake CPU with Integrated Graphics controller and rich variety of I/O options. Onboard memory with extended temperature support all in a ruggedized small form factor embedded system.

Specification

Processor	CPU	Intel TigerLake 15W UP3 i7-1185GRE	
	Memory	Onboard 32GB LPDDR4x with ECC	
	Storage	Integrated M.2 up to 512GB	
Graphics	GPU	Integrated Intel Iris Xe Graphics	
38999 Connector	Ethernet	2 x ETH 1000 Mbps	
	RS232/422/485	1	
	USB 2.0	2	
	DP, eDP	2 Independant	
	GPIO	4 (optional)	
	AUDIO	Line-in/Line-out/MIC (optional)	
Power Supply	9-36VDC (with integrated Power Supply & Filters)		
Environment		Operating	Non-operating
	Temperature	-40 ~ 55° C	-40 ~ 85° C
	IP Rating	IP65	
	Environmental	MIL-STD-810	
	EMI/EMC	MIL-STD-461	
Physical Characteristics	Dimensions (W x H x D)	148 x 50 x 184 mm	
	Weight	<2Kg	

Dimensions



Ordering Information

AVR-150-C	SWaP Rugged i7 11 th Gen CPU, 16GB DDR, 256GB storage
AVR-150-C-2	SWaP Rugged i7 11 th Gen CPU, 32GB DDR, 512GB storage